

Material Handling Solutions by **Omega Lift**

Manufacturing Inc.



44236 Series



STANDARD EQUIPMENT

Engine

- Perkins diesel engine
- EPA Compliant
- Block heater with extension cord
- Glow Plugs

Transmission

- Power shift transmission—
3 speeds forward / 3 reverse
- Limited slip differential (rear axle)
- Electric column shifter with
torque converter
- Transmission disconnect on
park brake
- Transmission oil cooler

Axles/Brakes

- Planetary 4-wheel drive
- 3 steering modes:
(4-wheel, crab, 2-wheel)
- Enclosed, wet disc brakes
- Oscillating rear axle
- Hydraulic powered brakes
with accumulator
- Internal spring applied hydraulic
release park brake

Operator Compartment

- Open FOPS
- Full gauge cluster and indicator lights

- Low profile mechanical suspension
seat with lumbar adjustment and
retractable seatbelt
- Grab handles and cab step
- 2 speed fan

Instrumentation

- Full gauge cluster including; fuel
level, water temperature, engine
oil pressure, AMP meter.
- Indicator lights including; low
battery, low oil pressure, high water
temperature, high transmission oil
temperature, park brake

Mast/Carriage

- I-beam roller bearing mast
- Clear View design
- Premium mast chain
- Hardened chain pulleys
- Sealed, maintenance free
roller bearings
- Shaft Carriage
- Shaft Forks

Electrical

- 12 V negative ground system
- Labeled fuses with holder
- 970 CCA battery
- 65 AMP alternator

Additional Features

- Solid steel frame construction
- Frame levelling
- Steel hydraulic and fuel tanks
- Chrome exhaust stack
- Lockable fuel, hydraulic, engine
hood and battery compartment
- Front work lights
- Rear flashers
- 2-stage air cleaner
- Horn and back-up alarm
- Tire sealant
- Tie down provisions

OPTIONAL EQUIPMENT

- Enclosed all-weather cab
- Air Conditioning
- AM/FM CD sound system
- Lighting package
- Mirror package
- Low profile air suspension seat
- Customizable mast, carriage and forks
- Mast side shift
- Lock differential (front axle)
- Fork positioning



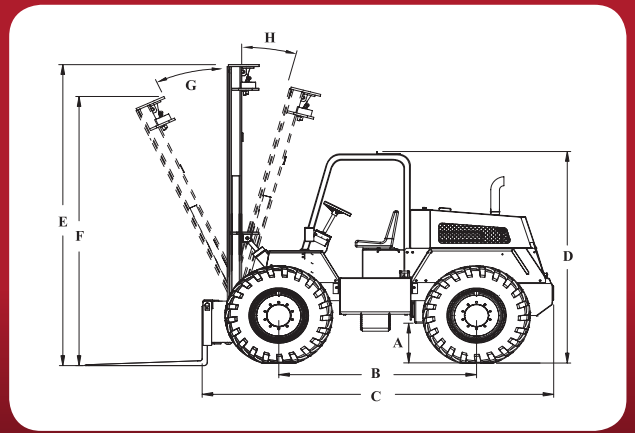
1.866.724.6922 | www.omegalift.net

44236 Series

6,000 lbs - 8,000 lbs load capacity

15'-34' lift height

The **44236 Series** comes in standard 4-wheel drive, 4-wheel steer. This heavy duty all terrain forklift excels in the construction field because of its tough build and high ground clearance. Used in general construction or yard work, this powerful and versatile forklift is up to the challenge of any job.



SPECIFICATION	Ref.	44236-615	44236-815
Lift Capacity @ 24" load centre (lbs.)		6,000	8,000
Overall length (without forks)	C	147"	161"
Overall width		96"	
Wheelbase	B	85"	91"
Height to top of canopy	D	104"	
Closed height standard mast	E	140"	
Height standard full mast tilt	F	114"	
Maximum lift height (std mast)		15'	
Outside turning radius		144"	150"
Ground clearance	A	20"	18"
Drive		4-wheel drive	
Steering		4WS/2WS/Crab Steer	
Mast clearance		17.5"	11.5"
Mast tilt - forward	G	27°	25°
Mast tilt - rear	H	13°	15°
Mast side shift - optional		+/- 3"	
Travel speed unladen - forward		17 mph	
Gradeability		40%	
Drive		4-wheel drive	
Tire size		16.9 x 24 - 10 ply	
Engine Manufacturer and model		Perkins 1104C-44 Natural Diesel	
Cylinders		4 Cylinders	
Horsepower		86 HP @ 2400 rpm	
Transmission		Powershift—3 speed forward/ 3 speed reverse	
Shipping weight (lbs.)		12,260	16,800

Manufacturers specifications subject to change without notice