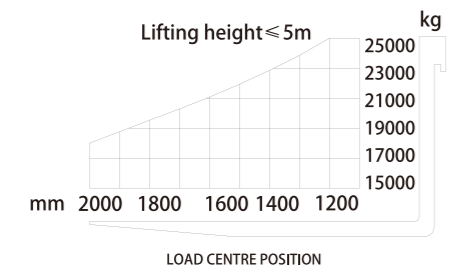


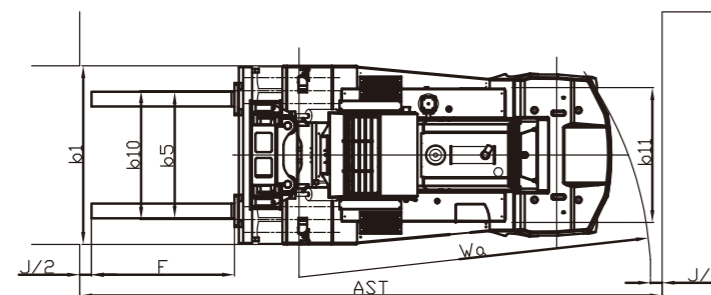
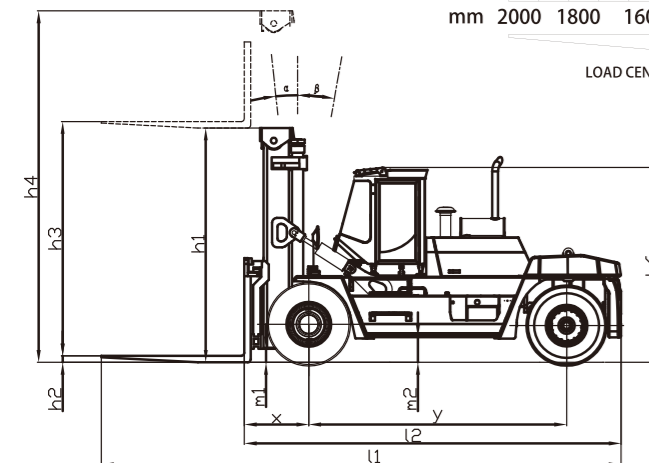
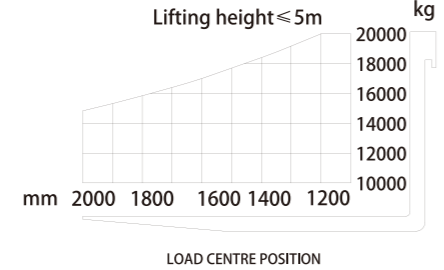
Heavy IC Forklift Truck

		HANGCHA GROUP CO.,LTD.					
		CPCD200-W36	CPCD200-W50	CPCD250-W36	CPCD250-W50		
Distinguishing mark	1.1	Manufacturer					
	1.2	Manufacturer's type designation					
	1.3	Drive: electric (battery or mains), diesel, petrol, fuel gas	Diesel	Diesel	Diesel	Diesel	
	1.4	Operator type: hand, pedestrian, standing, seated, order-picker	Seated	Seated	Seated	Seated	
	1.5	Rated capacity/rated load	Q (kg)	20000	20000	25000	
	1.6	Load centre distance	c (mm)	1200	1200	1200	
	1.8	Load distance, centre of drive axle to fork	x (mm)	1100	1100	1100	
	1.9	Wheelbase	y (mm)	4400	4400	4400	
	Weight	2.1	Service Weight	kg	33500	33500	35500
Tyres, chassis	3.2	Tyre size, front	14.00-24-24PR	14.00-24-24PR	14.00-24-28PR	14.00-24-28PR	
	3.3	Tyre size, rear	14.00-24-24PR	14.00-24-24PR	14.00-24-28PR	14.00-24-28PR	
	3.5	Wheels, number front / rear (x = driven wheels)	4x/2	4x/2	4x/2	4x/2	
	3.6	Tread, front	b10 (mm)	2200	2200	2200	
	3.7	Tread, rear	b11 (mm)	2300	2300	2300	
	4.1	Tilt of mast/fork carriage forward/backward	α/β(°)	6/10	6/10	6/10	
	4.2	Height, mast lowered	h1 (mm)	4000	4000	4000	
Dimensions	4.3	Free lift	h2 (mm)	110	110	110	
	4.4	Lift	h3 (mm)	4000	4000	4000	
	4.5	Height, mast extended	h4 (mm)	6000	6000	6000	
	4.7	Height of cabin	h6 (mm)	3380	3380	3380	
	4.19	Overall length	l1 (mm)	8810	8810	8810	
	4.20	Length to face of forks	l2 (mm)	6370	6370	6370	
	4.21	Overall width	b1 (mm)	3050	3050	3050	
	4.22	Fork dimensions ISO 2331	s/e/l (mm)	2440x250x110	2440x250x110	2440x250x110	
	4.25	Distance between fork-arms	bs (mm)	900/2600	900/2600	900/2600	
	4.31	Ground clearance, laden, below mast	m1 (mm)	300	300	300	
	4.32	Ground clearance, centre of wheelbase	m2 (mm)	450	450	450	
	4.35	Turning radius	Wa (mm)	6000	6000	6000	
	Performance Data	5.1	Travel speed, laden/unladen	km/h	25/28	25/28	25/28
		5.2	Lift speed, laden/unladen	m/s	0.3/0.33	0.3/0.33	0.3/0.33
5.5		Drawbar pull, laden/unladen	N	160000/-	160000/-	160000/-	
5.7		Gradeability, laden/unladen	%	25/-	25/-	25/-	
5.10		Service brake		Wet disc brake system(WDB)			
		Parking brake		Spring Applied,Hydraulic release multidisc brake(SAHR)			
Combustion-engine		7.1	Engine manufacturer/type	CUMMINS/QSCB.3	CUMMINS/QSL9.0 250	CUMMINS/QSCB.3	CUMMINS/QSL9.0 250
		Emission STD	StageIIIA/Tier3	StageIIIB/Tier4	StageIIIA/Tier3	StageIIIB/Tier4	
	7.2	Engine power according to DIN ISO 1585	kw	179	186	179	
	7.3	Rated speed	min	2200	2200	2200	
	7.4	Number of cylinders/displacement	(-) / (cm³)	6/8300	6/8900	6/8300	
	7.10	Battery voltage/nominal capacity	V/Ah	2x12/150	2x12/150	2x12/150	
		Rated torque	Nm/r/min	1085/1500	1085/1500	1085/1500	
	Bore x stroke	mm	114x135	114x145	114x135		

RATED CAPACITIES AND LOAD CENTRES GRAPH



RATED CAPACITIES AND LOAD CENTRES GRAPH



20-25t Forklift Mast Specification

Type	Max. fork height		Overall height				Tilt range	
			Lowered		Extended		FWD/RWD	
Wide view mast	mm	mm	mm	mm	mm	mm	(°)	(°)
	20t	25t	20t	25t	20t	25t	20t	25t
	3300	3300	3650	3650	5290	5290	6/10	6/10
	3600	3600	3800	3800	5590	5590	6/10	6/10
	4000	4000	4000	4000	5990	5990	6/10	6/10
	4300	4300	4150	4150	6290	6290	6/10	6/10
	4500	4500	4250	4250	6490	6490	6/10	6/10
	4800	4800	4400	4400	6790	6790	6/10	6/10
	5000	5000	4550	4550	7040	7040	6/10	6/10
	5500	5500	4800	4800	7540	7540	3/6	3/6
6000	6000	5100	5100	8090	8090	3/6	3/6	
6500	6500	5350	5350	8590	8590	3/6	3/6	



Heavy IC Forklift Truck

with capacities of 20,000 to 25,000kg



HANGCHA FORKLIFT CANADA INC.

Company address:
6-980 Rue Valois, Vaudreuil-Dorion,
QC, J7V 8P2, Canada

Toll Free: 877-319-HCFC (4232)
Landline: 450-319-HCFC

canada@hcforklift.com
www.hcforkliftcanada.com



Follow us on Facebook



Follow us on YouTube



Follow us on WeChat



Download "Hangcha Forklift" App



ISO14001:2015



ISO9001:2015

2020 VERSION 1/COPYRIGHT 2020/12

HANGCHA GROUP CO., LTD. reserves the right to make any changes without notice concerning colors, equipment, or specifications detailed in this brochure, or to discontinue individual models. The colors of trucks, delivered may differ slightly from those in brochures.

The World of Hangcha



Heavy IC Forklift Truck

Environment/
Efficiency/
Economy



Power System

/ Cummins QSC8.3 supercharged engine, Emissions comply with EPA 3 and EU III requirements; High performance, low energy consumption, low speed with high torque, great power reserves. And the engine is equipped with big dimension radiator and suction fan, it reduce the temperature of inlet air and ensure the reliability of cooling system. Using the special peripheral accessories recommended by Cummins, ensure the normal use and maintenance of the engine.

Transmission System

/ ZF micro controller with 3 stage power-shift is to make sure the high reliability. Using the most advanced TCU microelectronic control transmission proportional control valve to achieve uninterrupted power output and automatic transmission, no need the driver manual shift operation. Fault display and convenient diagnostic socket, greatly simplifying maintenance and repairs. German Kessler heavy load drive axle, with two stage speed adjust, multi-disc wet service brake system, is fully enclosed system with maintenance free.

Hydraulic System

/ International famous brand hydraulic valve, the main hydraulic pump, the guide handle. Load sensing hydraulic system, reduce the continuous load of engine; Remote hydraulic control and electric control are simple and convenient. Multiple hydraulic testing points simplify the maintenance work.

Mast

/ Widened duplex mast, reinforced frame, broad vision; Dual valves limit the speed, better security. Sideshifter is the standard configuration.

Brake System

/ USA MICO hydraulic power brake, wet multi-disc service braking and spring action, caliper disc parking brake system with forced cooling by oil, is safe and reliable.

Steering System

/ Single transverse arranged cylinder of steering axle has dual function, full hydraulic power steering, steering has priority, with load sensing function, for easy operation.

Electrical System

/ Implement the latest international, national and industry standards. The OPS using the seat, and to improve driving safety and norms. The use of advanced CAN bus communication system, high reliability, good anti-jamming; The CAN controller collect information of engine, transmission, all types of sensors, pressure switches and faults, and operator can view various information intuitively from the high-performance colored LCD. The central distribution control box use the product of BASSMANN, compact, beautiful and clear.

Cabin

/ Integral full suspension tilting cabin, connected with the frame through damping rubber, which can shield most of vibration and noise. The tilted cabin which configured wide vision, suspension seat, electric control and hydraulic control joystick, is simple and easy for operation and maintenance. It provides a large space for drivers legs.

Standard

- / Neutral switch
- / Wide view mast
- / Gauge of hydraulic level
- / 4 Sec. multi-way valve
- / Radiator
- / Pattern oil-resistant tyres
- / Fuel dipstick
- / Full hydraulic power steering
- / Self-lock valve
- / Rubber pedal pad
- / Limit lift speed valve
- / Air cleaner
- / Charge indicator lamp
- / Oil pressure warning
- / OPS
- / Pre-heat indicator lamp
- / Oil temperature gauge
- / Front wiper
- / Rear wiper
- / Speedometer
- / Hour meter
- / Water temperature gauge
- / Air condition
- / Fuel gauge
- / Cabin
- / Pin
- / Fork positioner side shift
- / Hand lamp
- / Horn
- / Mirror
- / Tool box
- / Standard fork
- / Standard seat
- / Buzzer
- / Front combination lamp
- / Rear combination lamp

Options

- / Customer painting
- / Working lamp
- / Other dimension fork
- / Rear-view camera
- / Warning lamp
- / Air pre-cleaner



Rema tiller head



Auxiliary wheels are equipped to have better stability



Modern outline design



Tandem load wheel