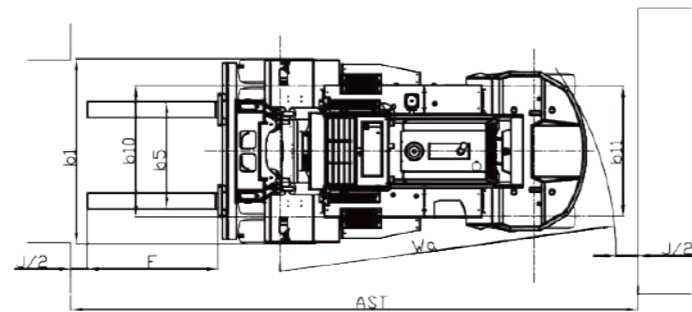
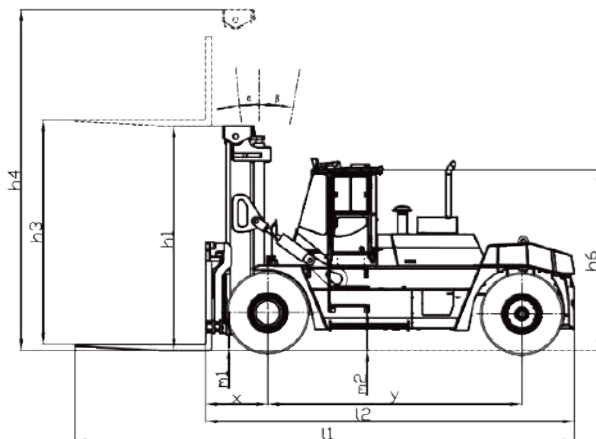
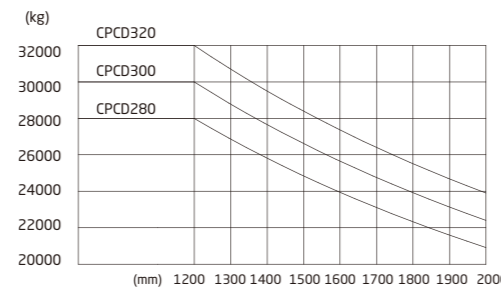


Heavy IC Forklift Truck

		HANGCHA GROUP CO.,LTD.					
		CPCD280-W36	CPCD280-W50	CPCD300-W36	CPCD300-W50	CPCD320-W36	CPCD320-W50
1.1	Manufacturer	HANGCHA GROUP CO.,LTD.					
	Manufacturer's type designation	CPCD280-W36	CPCD280-W50	CPCD300-W36	CPCD300-W50	CPCD320-W36	CPCD320-W50
1.2	Type	Variable system	Variable system	Variable system	Variable system	Variable system	Variable system
	Drive: electric (battery or mains), diesel, petrol, fuel gas	Diesel	Diesel	Diesel	Diesel	Diesel	Diesel
1.3	Operator type: hand, pedestrian, standing, seated, order-picker	Seated	Seated	Seated	Seated	Seated	Seated
1.4	Rated capacity/rated load	Q (kg)	28000	28000	30000	30000	32000
1.5	Load centre distance	c (mm)	1200	1200	1200	1200	1200
1.6	Load distance, centre of drive axle to fork	x (mm)	1160	1160	1160	1160	1160
1.7	Wheelbase	y (mm)	4750	4750	4750	4750	4750
2.1	Service Weight	kg	40000	40000	42000	42000	43500
3.2	Tyre size, front	16.00-25-32PR	16.00-25-32PR	16.00-25-32PR	16.00-25-32PR	16.00-25-32PR	16.00-25-32PR
	Tyre size, rear	16.00-25-32PR	16.00-25-32PR	16.00-25-32PR	16.00-25-32PR	16.00-25-32PR	16.00-25-32PR
3.3	Wheels, number front / rear (x = driven wheels)	4x/2	4x/2	4x/2	4x/2	4x/2	4x/2
3.4	Tread, front	b10 (mm)	2460	2460	2460	2460	2460
3.5	Tread, rear	b11 (mm)	2440	2440	2440	2440	2440
4.1	Tilt of mast/fork carriage forward/backward	a/β(°)	6°/10°	6°/10°	6°/10°	6°/10°	6°/10°
4.2	Height, mast lowered	h1 (mm)	4200	4200	4200	4200	4200
4.3	Free lift	h2 (mm)	0	0	0	0	0
4.4	Lift	h3 (mm)	4000	4000	4000	4000	4000
4.5	Height, mast extended	h4 (mm)	6200	6200	6200	6200	6200
4.6	Height of cabin	h6 (mm)	3550	3550	3550	3550	3550
4.7	Overall length	l1 (mm)	9330	9330	9330	9330	9330
4.8	Length to face of forks	l2 (mm)	6890	6890	6890	6890	6890
4.9	Overall width	b1 (mm)	3420	3420	3420	3420	3420
4.10	Fork dimensions ISO 2331	s/e/l (mm)	2440×300×110	2440×300×110	2440×300×110	2440×300×110	2440×300×110
4.11	Distance between fork-arms	bs (mm)	1000/3000	1000/3000	1000/3000	1000/3000	1000/3000
4.12	Ground clearance, laden, below mast	m1 (mm)	300	300	300	300	300
4.13	Ground clearance, centre of wheelbase	m2 (mm)	450	450	450	450	450
4.14	Turning radius	Wa (mm)	6600	6600	6600	6600	6600
4.15	Min.right angle aisle width	mm	7760+j+f	7760+j+f	7761+j+f	7761+j+f	7762+j+f
5.1	Travel speed, laden/unladen	km/h	22/25	22/25	22/25	22/25	22/25
5.2	Lift speed, laden/unladen	m/s	0.27/0.30	0.27/0.30	0.26/0.29	0.26/0.29	0.26/0.29
5.3	Drawbar pull, laden/unladen	N	220000/-	220000/-	220000/-	220000/-	220000/-
5.4	Gradeability, laden/unladen	%	20/-	20/-	20/-	20/-	20/-
5.5	Service brake	Wet disc brake system					
5.6	Parking brake	Spring Applied,Hydraulic release multidisck brake					
7.1	Engine manufacturer/type	CUMMINS/Q5CB.3	CUMMINS/Q5L9	CUMMINS/Q5CB.3	CUMMINS/Q5L9	CUMMINS/Q5CB.3	CUMMINS/Q5L9
7.2	Emission STD	StageIIA/Tier3	StageIIB/Tier4i	StageIIIA/Tier3	StageIIIB/Tier4i	StageIIIA/Tier3	StageIIIB/Tier4i
7.3	Engine power according to DIN ISO 1585	kw	179	186	179	179	186
7.4	Rated speed	min	2200	2200	2200	2200	2200
7.5	Number of cylinders/displacement	(l) / (cm³)	6/8300	6/8900	6/8300	6/8900	6/8900
7.6	Battery voltage/nominal capacity	V/Ah	2×12/150	2×12/150	2×12/150	2×12/150	2×12/150
7.7	Rated torque	Nm/r/min	1085/1500	1085/1500	1085/1500	1085/1500	1085/1500
7.8	Bore x stroke	mm	114×135	114×145	114×135	114×145	114×145



28-32t Forklift Mast Specification

Type	Max. fork height			Overall height						Tilt range		
				Lowered			Extended			FWD/RWD		
Wide view mast	mm	mm	mm	mm	mm	mm	mm	mm	mm	(°)	(°)	(°)
	28t	30t	32t	28t	30t	32t	28t	30t	32t	6/10	6/10	6/10
	3600	3600	3600	4000	4000	4000	5790	5790	5790	6/10	6/10	6/10
	4000	4000	4000	4200	4200	4200	6190	6190	6190	6/10	6/10	6/10
	4300	4300	4300	4350	4350	4350	6490	6490	6490	6/10	6/10	6/10
	4500	4500	4500	4450	4450	4450	6690	6690	6690	6/10	6/10	6/10
	4800	4800	4800	4600	4600	4600	6990	6990	6990	6/10	6/10	6/10
	5000	5000	5000	4750	4750	4750	7240	7240	7240	6/10	6/10	6/10
	5500	5500	5500	5000	5000	5000	7740	7740	7740	3/6	3/6	3/6
	6000	6000	6000	5300	5300	5300	8290	8290	8290	3/6	3/6	3/6
6500	6500	6500	5550	5550	5550	8790	8790	8790	3/6	3/6	3/6	
7000	7000	7000	5850	5850	5850	9340	9340	9340	3/6	3/6	3/6	



Heavy IC Forklift Truck

with capacities of 28,000 to 32,000kg



HANGCHA FORKLIFT CANADA INC.

Company address:
6-980 Rue Valois, Vaudreuil-Dorion,
QC, J7V 8P2, Canada

Toll Free: 877-319-HCFC (4232)
Landline: 450-319-HCFC

canada@hcforklift.com
www.hcforkliftcanada.com



Follow us on Facebook



Follow us on YouTube



Follow us on WeChat



Download "Hangcha Forklift" App



Download "Hangcha Forklift" App



ISO 14001



ISO 9001:2015

2020 VERSION 1/COPYRIGHT 2020/12

HANGCHA GROUP CO., LTD. reserves the right to make any changes without notice concerning colors, equipment, or specifications detailed in this brochure, or to discontinue individual models. The colors of trucks, delivered may differ slightly from those in brochures.

The World of Hangcha



Heavy IC Forklift Truck

Environment/
Efficiency/
Economy



Power System

/ Cummins QSC8.3 supercharged engine, Emissions comply with EPA 3 and EU III requirements; High performance, low energy consumption, low speed with high torque, great power reserves. And the engine is equipped with big dimension radiator and suction fan, it reduce the temperature of inlet air and ensure the reliability of cooling system. Using the special peripheral accessories recommended by Cummins, ensure the normal use and maintenance of the engine.

Transmission System

/ ZF micro controller with 3 stage power-shifts to make sure the high reliability. Using the most advanced TCU microelectronic control transmission proportional control valve to achieve uninterrupted power output and automatic transmission, no need the driver manual shift operation. Fault display and convenient diagnostic socket, greatly simplifying maintenance and repairs. German Kessler heavy load drive axle, with two stage speed adjust, multi-disc wet service brake system, is fully enclosed system with maintenance free.

Hydraulic System

/ International famous brand hydraulic valve, the main hydraulic pump, the guide handle. Load sensing hydraulic system, reduce the continuous load of engine; Remote hydraulic control and electric control are simple and convenient. Multiple hydraulic testing points simplify the maintenance work.

Mast

/ Widened duplex mast, reinforced frame, broad vision; Dual valves limit the speed, better security. Sideshifter is the standard configuration.

Brake System

/ Poclain hydraulic power brake, wet multi-disc service braking and spring action, caliper disc parking brake system with forced cooling by oil, is safe and reliable.

Steering System

/ Single transverse arranged cylinder of steering axle has dual function, full hydraulic power steering, steering has priority, with load sensing function, for easy operation.

Electrical System

/ Implement the latest international, national and industry standards. The OPS using the seat, and to improve driving safety and norms. The use of advanced CAN bus communication system, high reliability, good anti-jamming; The CAN controller collect information of engine, transmission, all types of sensors, pressure switches and faults, and operator can view various information intuitively from the high-performance colored LCD.

Cabin

/ Integral full suspension tilting cabin, connected with the frame through damping rubber, which can shield most of vibration and noise. The tilted cabin which configured wide vision, suspension seat, electric control and hydraulic control joystick, is simple and easy for operation and maintenance. It provides large space for drivers legs.

Standard

- / Handle
- / Bracket of lamp
- / Air condition
- / Cabin
- / Pin
- / Fork positioner side shift
- / Hand lamp
- / Horn
- / Mirror
- / Tool box
- / Standard fork
- / Standard seat
- / Buzzer
- / Front combination lamp
- / Rear combination lamp
- / Neutral switch
- / Wide view mast
- / Gauge of hydraulic level
- / 4 Sec. multi-way valve
- / Radiator
- / Pattern oil-resistant tyres
- / Fuel dipstick
- / Full hydraulic power steering
- / Self-lock valve
- / Rubber pedal pad
- / LCD (Variable system)
- / Limit lift speed valve
- / Air cleaner
- / Lift and tilt lever
- / OPS
- / Warning lamp

Options

- / Customer painting
- / Working lamp
- / Other dimension fork
- / Rear-view camera
- / Reverse sensor



Rema tiller head



Auxiliary wheels are equipped to have better stability



Modern outline design



Tandem load wheel