



XF Series Box Car Special Forklift

with capacities of 8,000 to 12,000lbs

The World of Hangcha



CONCEPT

XF Series Box Car Special Forklift is developed on basis of existing XF series by Hangcha, with world-leading technologies, a world-class forklift that can meet your demand in all dimensions thanks to the overall upgrading in appearance modeling, energy conservation and environmental protection, comfort, safety, and reliability. Application of new technologies including load-sensing hydraulic system, energy-efficient lighting system, low-emission engine, effective noise and vibration control, and brand-new control system offers higher efficiency and lower cost for your work.



LED lighting system and environmentally-friendly materials for entire truck



LED lights are applied for entire truck. It saves power and energy, with significantly increased performance and service life of lights.

Environmentally-friendly materials are applied for the entire truck to minimize damage to environment.

Visualized LCD instrument panel



Newly developed LCD meters have more complete functions and more stable performance. Important information including running status of the entire truck and failure of the engine (electronically controlled engine) can be displayed completely, so that the operator can understand status of the truck in a visualized manner, for easy maintenance.



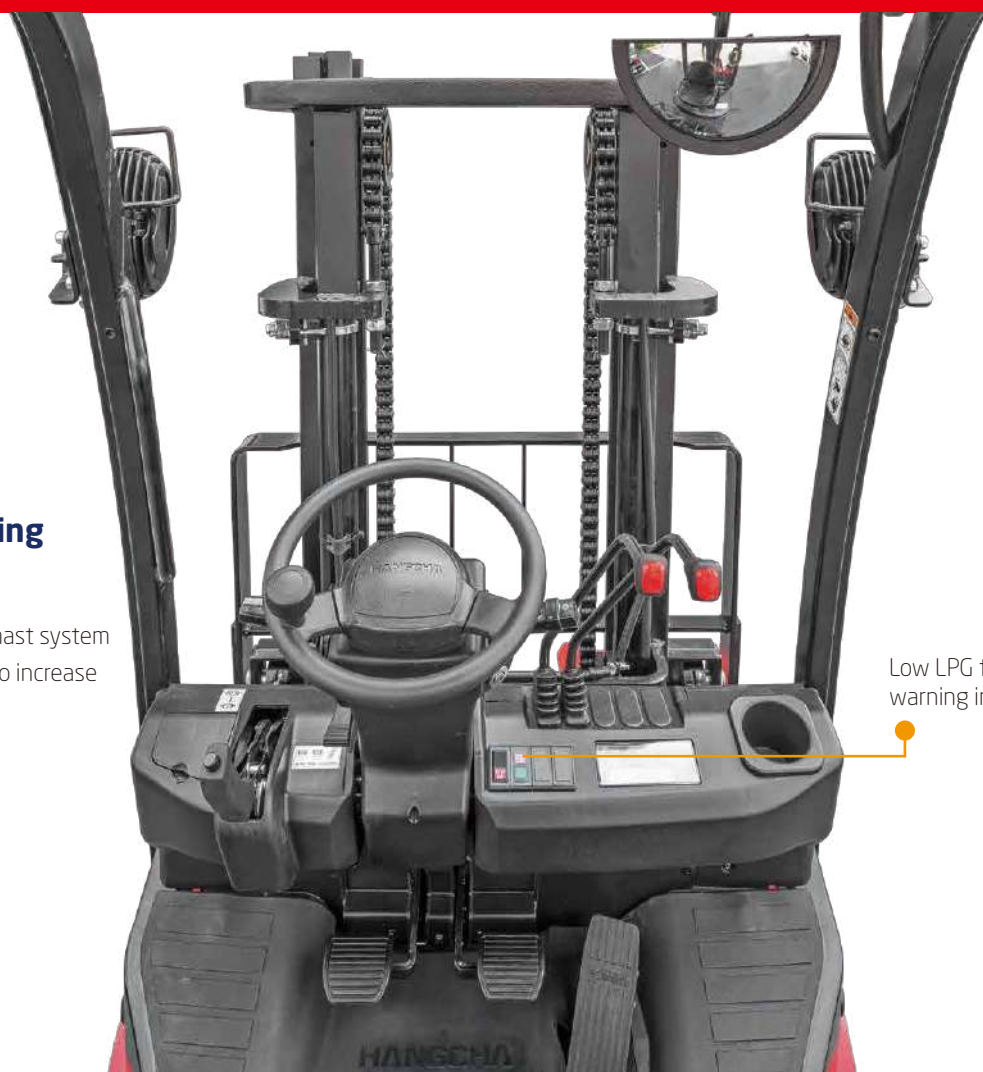
Suspension Seat

61.8 INCHES
Short Wheelbase



Wide-view mast offering better visibility

New type of steel channels and mast system of brand-new design are applied to increase visibility in front of the driver.



Low LPG fuel warning indicator



Safety lock for engine hood

It is safe for driving by the operator, and can be opened easily.

Reliable hydraulic system

Optimized hydraulic breather structure, with built-in return oil filter, increases service life of hydraulic oil system;

Load-sensing hydraulic steering system is highly energy efficient.

Cooling system of optimized design

Aluminum plate-fin radiator of stronger cooling performance and higher structural strength is applied, with independent oil radiator, optimized heat transfer channel, and counterweight with dual-hole ventilation, which improve cooling efficiency substantially, increase reliability for heavy-load operation, and guarantee reliable work of the engine.

New generation of integrated electrical box

The new generation of integrated electrical box is applied, with reasonable layout, easy for service and maintenance, with better waterproof performance.

The entire truck is equipped with waterproof connectors, with increased waterproof performance.



Full-view rear view mirror

Full-view rear view mirror provides wider rear view, safer for operation.





人人

B4

杭州奔丰汽车座椅有限公司
 HANGCHOU BENFENG AUTO SEAT CO., LTD.
 工程车(叉车)座椅
 CONSTRUCTION VEHICLE SEAT

地址: 浙江省杭州市萧山区瓜沥镇义桥村工业园区
 电话: 0571-82551419 0571-82551418
 传真: 0571-82551427 网址: www.bfseats.com

杭州奔丰汽车座椅有限公司
 HANGCHOU BENFENG AUTO SEAT CO., LTD.
 工程车(叉车)座椅
 CONSTRUCTION VEHICLE SEAT

地址: 浙江省杭州市萧山区瓜沥镇义桥村工业园区
 电话: 0571-82551419 0571-82551418
 传真: 0571-82551427 网址: www.bfseats.com

杭州奔丰汽车座椅有限公司
 HANGCHOU BENFENG AUTO SEAT CO., LTD.
 工程车(叉车)座椅
 CONSTRUCTION VEHICLE SEAT

地址: 浙江省杭州市萧山区瓜沥镇义桥村工业园区
 电话: 0571-82551419 0571-82551418
 传真: 0571-82551427 网址: www.bfseats.com

杭州奔丰汽车座椅有限公司
 HANGCHOU BENFENG AUTO SEAT CO., LTD.
 工程车(叉车)座椅
 CONSTRUCTION VEHICLE SEAT

地址: 浙江省杭州市萧山区瓜沥镇义桥村工业园区
 电话: 0571-82551419 0571-82551418
 传真: 0571-82551427 网址: www.bfseats.com

HANGCHA

3

45

TOUGH TRUCKS



New steering wheel adjusting mechanism

Small-diameter steering wheel and electro-hydraulic steering (hydraulic transmission) design, and car-like combination switch of double handles, increase operator comfort substantially.



The OKAMURA transmission is provided with the Power Take-Off (PTO), the gear pump driving is reliable and has high efficiency.



North America certified engine

High power and high torque, favorable clean emission, and excellent fuel economy;

Emission standard of the engine is in compliance with EPA/CARB Tier2;

Electronically controlled engine.



Large hand grip

Large hand grip of optimized design enables easier access to the truck.



High-strength suspension overhead guard

The overhead guard is fabricated with specially-shaped steel tubes, with high strength; integral overhead guard, easy for repair and disassembly; flexible connection is applied between overhead guard and truck frame, with small vibration, which increases operator comfort substantially.



Steering axle

Large-sized conical bearing is applied at master pin of the steering axle, together with a large-diameter steering cylinder, and buffer blocks at top, which increase reliability of the steering axle substantially.

Standard Configuration

- / Traction unit
- / Small-diameter steering wheel
- / Integrated combination switch
- / Extended hand grip
- / Steering wheel adjusting device
- / Cable-type parking brake (with self-lock)
- / Suspension seat with safety belt
- / Large-capacity aluminum radiator
- / Dynamic load sensing system
- / Suspension integral overhead guard
- / Whirlwind high-efficiency air filter
- / Hydraulic oil suction filter element
- / Rain cover of overhead guard
- / Safe filter element
- / Inclined oil way latching valve
- / Full-view rear view mirror
- / High-efficiency exhaust muffler
- / Hydraulic oil dipstick
- / High-performance tire
- / Access/exit safe step
- / High-efficiency LED combination front lamp
- / Large rubber pedal pad
- / High-efficiency LED combination rear lamp
- / Full floating transmission
- / Steering wheel adjusting device
- / Maintenance-free battery
- / Transmission oil filter element
- / Hydraulic oil return oil filter element
- / Combined LCD meters
- / Gearbox dipstick
- / Engine hood spring
- / Integrated controller
- / Gearbox oil cooler
- / File folder
- / Alarm light
- / Non-asbestos brake
- / Electro-hydraulic steering
- / Charging reminder
- / Suspension operation pedal
- / Oil gauge
- / Water thermometer
- / Cup holder
- / Preheating indication
- / Duplex wide-view mast
- / Charge indication
- / Standard fork
- / Timer
- / Standard carriage
- / Engine oil pressure alarm
- / Standard back rest
- / Gearbox oil temperature alarm
- / Maintenance reminder
- / Load safety valve
- / Horn
- / Soft landing system
- / Reversing buzzer
- / Mast lifting buffer device
- / Tilt piston rod jacket
- / Fan protector
- / Reversing assist grip with horn button
- / Front acoustic hood of steering wheels
- / Low LPG fuel warning indicator
- / Double soundproof pad of hood
- / Swing-out LP bracket
- / Speed control switch
- / Smooth cushion tyre

Options

- / Customized painting
- / Emergence power switch
- / LED rear work light
- / Auxiliary hydraulic valve group
- / Over-speed alarm
- / Engine hood lock
- / Fire extinguisher
- / OPS system
- / High-low overhead guard
- / Noise reduction package
- / Radiator screen
- / Pre-cleaner
- / Blue light
- / Counter weight net
- / Swing-down LP bracket
- / Traction tyre
- / Non-marking cushion

Special Mast Devices

- / Duplex wide-view full-free mast
- / Triplex wide-view full-free mast
- / Special duplex wide-view mast
- / Wider carriage
- / Special fork

Optional Accessories

- / Paper roll clamp
- / Side-shift fork
- / Rotating flat clamp
- / Rotating fork
- / Load stabilizer
- / Fork extension
- / Multi-drum clamp
- / Load release device
- / Bale clamp
- / Carton clamp
- / Oil barrel clamp
- / Push-pull device
- / Dumping clamp
- / Bucket
- / Crane arm
- / Lifting hook
- / String pole
- / Extended fork
- / Weighing system

8000lbs XF series mast:(Cushion)

| Type | Model | Max. fork height | Overall height | | | | Free lift | | Front Overhang | Tilt range | Capacity | |
|----------------------------------|-------------|------------------|----------------|------------------|---------------|------------------|---------------|-----------|----------------|------------|--------------------------------|--------|
| | | | Lowered | Extended | | Without backrest | With backrest | FIR | | | Load capacity at 24 in (600mm) | |
| | | | | Without backrest | With backrest | | | | | | | lb(kg) |
| | | in (mm) | in (mm) | in (mm) | in (mm) | in (mm) | in (mm) | in (mm) | (°) | | | |
| Wide view mast | XBC35M250 | 98.4(2500) | 76.4(1940) | 130.5(3315) | 146.7(3725) | 4.3(110) | 4.3(110) | 17.7(450) | 5/6 | 8000(3500) | | |
| | XBC35M280 | 110.2(2800) | 82.3(2090) | 142.3(3615) | 158.5(4025) | 4.3(110) | 4.3(110) | 17.7(450) | 5/6 | 8000(3500) | | |
| | XBC35M300 | 118.1(3000) | 86.2(2190) | 150.2(3815) | 166.3(4225) | 4.3(110) | 4.3(110) | 17.7(450) | 5/6 | 8000(3500) | | |
| | XBC35M330 | 129.9(3300) | 95.3(2420) | 162(4115) | 178.1(4525) | 4.3(110) | 4.3(110) | 17.7(450) | 5/6 | 8000(3500) | | |
| | XBC35M340 | 133.9(3400) | 97.2(2470) | 165.9(4215) | 182.1(4625) | 4.3(110) | 4.3(110) | 17.7(450) | 5/6 | 8000(3500) | | |
| | XBC35M350 | 137.8(3500) | 99.2(2520) | 169.9(4315) | 186(4725) | 4.3(110) | 4.3(110) | 17.7(450) | 5/6 | 8000(3500) | | |
| | XBC35M370 | 145.7(3700) | 103.1(2620) | 177.8(4515) | 193.9(4925) | 4.3(110) | 4.3(110) | 17.7(450) | 5/6 | 8000(3500) | | |
| | XBC35M400 | 157.5(4000) | 109.1(2770) | 189.6(4815) | 205.7(5225) | 4.3(110) | 4.3(110) | 17.7(450) | 5/6 | 8000(3500) | | |
| Wide view full free triplex mast | XBC35N400 | 157.5(4000) | 78.9(2005) | 189(4800) | 205.7(5225) | 47.4(1205) | 30.7(780) | 19.3(490) | 5/6 | 8000(3500) | | |
| | XBC35N430 | 169.3(4300) | 82.9(2105) | 200.8(5100) | 217.5(5525) | 51.4(1305) | 34.6(880) | 19.3(490) | 5/6 | 7900(3500) | | |
| | XBC35N450 | 177.2(4500) | 85.4(2170) | 208.7(5300) | 225.4(5725) | 53.9(1370) | 37.2(945) | 19.3(490) | 5/6 | 7800(3500) | | |
| | XBC35N470 | 185(4700) | 88(2235) | 216.5(5500) | 233.3(5925) | 56.5(1435) | 39.8(1010) | 19.3(490) | 5/6 | 7750(3500) | | |
| | XBC35N480 | 189(4800) | 90(2285) | 220.5(5600) | 237.2(6025) | 58.5(1485) | 41.7(1060) | 19.3(490) | 5/6 | 7700(3500) | | |
| | XBC35N500 | 196.9(5000) | 94.5(2400) | 228.3(5800) | 245.1(6225) | 63(1600) | 46.3(1175) | 19.3(490) | 5/6 | 7590(3450) | | |
| | XBC35N530 | 208.7(5300) | 98.4(2500) | 240.2(6100) | 256.9(6525) | 66.9(1700) | 50.2(1275) | 19.3(490) | 5/6 | 7370(3350) | | |
| | XBC35N550 | 216.5(5500) | 102.4(2600) | 251.2(6380) | 264.8(6725) | 70.9(1800) | 54.1(1375) | 19.3(490) | 5/6 | 7260(3300) | | |
| XBC35N600 | 236.2(6000) | 108.3(2750) | 273(6935) | 284.4(7225) | 80.9(2055) | 64.2(1630) | 19.3(490) | 5/6 | 6600(3000) | | | |

With sideshifter minus 550lb(250kg),with integral sideshifter minus 330lb(150kg).

10000lbs XF series mast:(Cushion)

| Type | Model | Max. fork height | Overall height | | | | Free lift | | Front Overhang | Tilt range | Capacity | |
|----------------------------------|-------------|------------------|----------------|------------------|---------------|------------------|---------------|-----------|----------------|-------------|--------------------------------|--------|
| | | | Lowered | Extended | | Without backrest | With backrest | FIR | | | Load capacity at 24 in (600mm) | |
| | | | | Without backrest | With backrest | | | | | | | lb(kg) |
| | | in (mm) | in (mm) | in (mm) | in (mm) | in (mm) | in (mm) | in (mm) | (°) | | | |
| Wide view mast | XBC45M250 | 98.4(2500) | 76.4(1940) | 130.5(3315) | 146.7(3725) | 4.3(110) | 4.3(110) | 18.1(460) | 5/6 | 10000(4500) | | |
| | XBC45M280 | 110.2(2800) | 82.3(2090) | 142.3(3615) | 158.5(4025) | 4.3(110) | 4.3(110) | 18.1(460) | 5/6 | 10000(4500) | | |
| | XBC45M300 | 118.1(3000) | 86.2(2190) | 150.2(3815) | 166.3(4225) | 4.3(110) | 4.3(110) | 18.1(460) | 5/6 | 10000(4500) | | |
| | XBC45M330 | 129.9(3300) | 95.3(2420) | 162(4115) | 178.1(4525) | 4.3(110) | 4.3(110) | 18.1(460) | 5/6 | 10000(4500) | | |
| | XBC45M340 | 133.9(3400) | 97.2(2470) | 165.9(4215) | 182.1(4625) | 4.3(110) | 4.3(110) | 18.1(460) | 5/6 | 10000(4500) | | |
| | XBC45M350 | 137.8(3500) | 99.2(2520) | 169.9(4315) | 186(4725) | 4.3(110) | 4.3(110) | 18.1(460) | 5/6 | 10000(4500) | | |
| | XBC45M370 | 145.7(3700) | 103.1(2620) | 177.8(4515) | 193.9(4925) | 4.3(110) | 4.3(110) | 18.1(460) | 5/6 | 10000(4500) | | |
| | XBC45M400 | 157.5(4000) | 109.1(2770) | 189.6(4815) | 205.7(5225) | 4.3(110) | 4.3(110) | 18.1(460) | 5/6 | 10000(4500) | | |
| Wide view full free triplex mast | XBC45N400 | 157.5(4000) | 82.1(2085) | 189(4800) | 205.7(5225) | 50.6(1285) | 33.9(860) | 19.3(490) | 5/6 | 10000(4500) | | |
| | XBC45N430 | 169.3(4300) | 86(2185) | 200.8(5100) | 217.5(5525) | 54.5(1385) | 37.8(960) | 19.3(490) | 5/6 | 10000(4500) | | |
| | XBC45N450 | 177.2(4500) | 88.6(2250) | 208.7(5300) | 225.4(5725) | 57.1(1450) | 40.4(1025) | 19.3(490) | 5/6 | 10000(4500) | | |
| | XBC45N470 | 185(4700) | 91.1(2315) | 216.5(5500) | 233.3(5925) | 59.6(1515) | 42.9(1090) | 19.3(490) | 5/6 | 10000(4500) | | |
| | XBC45N480 | 189(4800) | 93.1(2365) | 220.5(5600) | 237.2(6025) | 61.6(1565) | 44.9(1140) | 19.3(490) | 5/6 | 9800(4450) | | |
| | XBC45N500 | 196.9(5000) | 97.6(2480) | 228.3(5800) | 245.1(6225) | 66.1(1680) | 49.4(1255) | 19.3(490) | 5/6 | 9700(4400) | | |
| | XBC45N530 | 208.7(5300) | 101.6(2580) | 240.2(6100) | 256.9(6525) | 70.1(1780) | 53.3(1355) | 19.3(490) | 5/6 | 9600(4350) | | |
| | XBC45N550 | 216.5(5500) | 105.5(2680) | 251.2(6380) | 264.8(6725) | 74(1880) | 57.3(1455) | 19.3(490) | 5/6 | 9480(4300) | | |
| XBC45N600 | 236.2(6000) | 115.6(2935) | 273(6935) | 284.4(7225) | 84.1(2135) | 67.3(1710) | 19.3(490) | 5/6 | 8820(4000) | | | |

With sideshifter minus 770lb(350kg),with integral sideshifter minus 440lb(200kg).

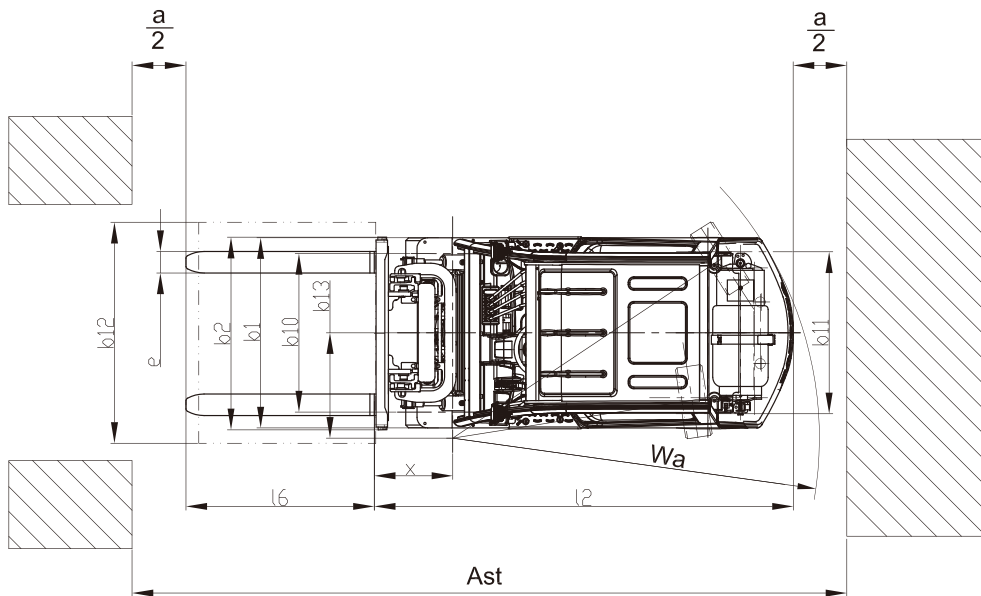
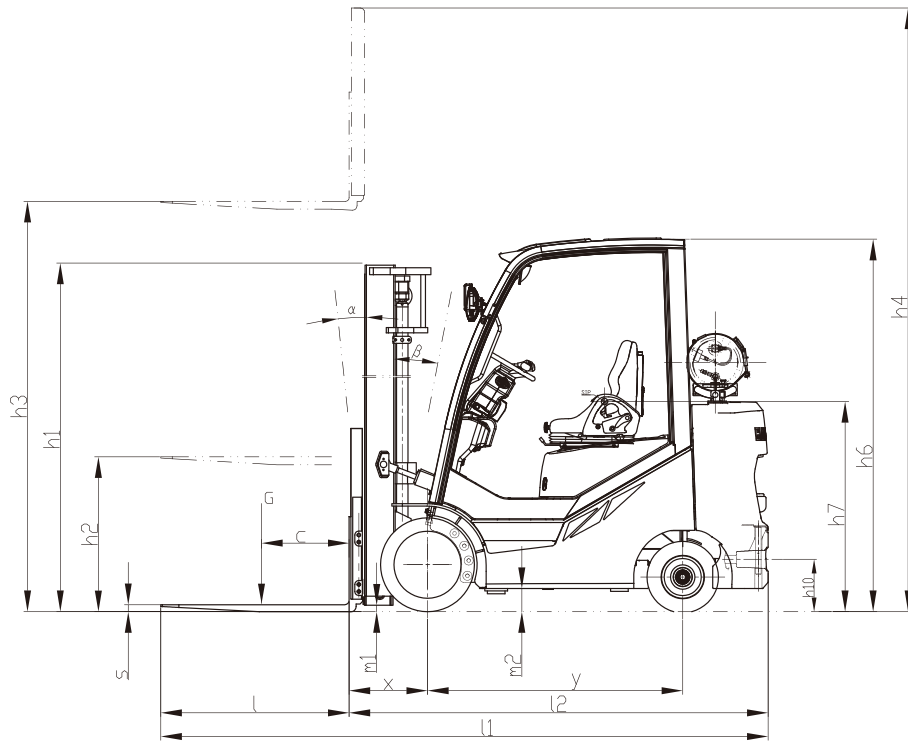
12000lbs XF series mast:(Cushion)

| Type | Model | Max. fork height | Overall height | | | | Free lift | | Front Overhang | Tilt range | Capacity | |
|----------------------------------|-------------|------------------|----------------|------------------|---------------|------------------|---------------|-----------|----------------|-------------|--------------------------------|--------|
| | | | Lowered | Extended | | Without backrest | With backrest | FIR | | | Load capacity at 24 in (600mm) | |
| | | | | Without backrest | With backrest | | | | | | | lb(kg) |
| | | in (mm) | in (mm) | in (mm) | in (mm) | in (mm) | in (mm) | in (mm) | (°) | | | |
| Wide view mast | XBC55M250 | 98.4(2500) | 76.4(1940) | 130.5(3315) | 146.7(3725) | 4.7(120) | 4.7(120) | 18.5(470) | 5/6 | 12000(5500) | | |
| | XBC55M280 | 110.2(2800) | 82.3(2090) | 142.3(3615) | 158.5(4025) | 4.7(120) | 4.7(120) | 18.5(470) | 5/6 | 12000(5500) | | |
| | XBC55M300 | 118.1(3000) | 86.2(2190) | 150.2(3815) | 166.3(4225) | 4.7(120) | 4.7(120) | 18.5(470) | 5/6 | 12000(5500) | | |
| | XBC55M330 | 129.9(3300) | 95.3(2420) | 162(4115) | 178.1(4525) | 4.7(120) | 4.7(120) | 18.5(470) | 5/6 | 12000(5500) | | |
| | XBC55M340 | 133.9(3400) | 97.2(2470) | 165.9(4215) | 182.1(4625) | 4.7(120) | 4.7(120) | 18.5(470) | 5/6 | 12000(5500) | | |
| | XBC55M350 | 137.8(3500) | 99.2(2520) | 169.9(4315) | 186(4725) | 4.7(120) | 4.7(120) | 18.5(470) | 5/6 | 12000(5500) | | |
| | XBC55M370 | 145.7(3700) | 103.1(2620) | 177.8(4515) | 193.9(4925) | 4.7(120) | 4.7(120) | 18.5(470) | 5/6 | 12000(5500) | | |
| | XBC55M400 | 157.5(4000) | 109.1(2770) | 189.6(4815) | 205.7(5225) | 4.7(120) | 4.7(120) | 18.5(470) | 5/6 | 12000(5500) | | |
| Wide view full free triplex mast | XBC55N400 | 157.5(4000) | 82.1(2085) | 192.1(4880) | 205.7(5225) | 47.4(1205) | 33.9(860) | 19.9(505) | 5/6 | 12000(5500) | | |
| | XBC55N430 | 169.3(4300) | 86(2185) | 203.9(5180) | 217.5(5525) | 51.4(1305) | 37.8(960) | 19.9(505) | 5/6 | 12000(5500) | | |
| | XBC55N450 | 177.2(4500) | 88.6(2250) | 211.8(5380) | 225.4(5725) | 53.9(1370) | 40.4(1025) | 19.9(505) | 5/6 | 12000(5500) | | |
| | XBC55N470 | 185(4700) | 91.1(2315) | 219.7(5580) | 233.3(5925) | 56.5(1435) | 42.9(1090) | 19.9(505) | 5/6 | 12000(5500) | | |
| | XBC55N480 | 189(4800) | 93.1(2365) | 223.6(5680) | 237.2(6025) | 58.5(1485) | 41.7(1060) | 19.9(505) | 5/6 | 11900(5450) | | |
| | XBC55N500 | 196.9(5000) | 97.6(2480) | 231.5(5880) | 245.1(6225) | 63(1600) | 49.4(1255) | 19.9(505) | 5/6 | 11685(5300) | | |
| | XBC55N530 | 208.7(5300) | 101.6(2580) | 243.3(6180) | 256.9(6525) | 66.9(1700) | 50.2(1275) | 19.9(505) | 5/6 | 11355(5150) | | |
| | XBC55N550 | 216.5(5500) | 105.5(2680) | 254.3(6460) | 264.8(6725) | 70.9(1800) | 57.3(1455) | 19.9(505) | 5/6 | 11250(5100) | | |
| XBC55N600 | 236.2(6000) | 115.6(2935) | 276.2(7015) | 284.4(7225) | 80.9(2055) | 67.3(1710) | 19.9(505) | 5/6 | 11000(5000) | | | |

With sideshifter minus 990lb(450kg),with integral sideshifter minus 550lb(250kg).

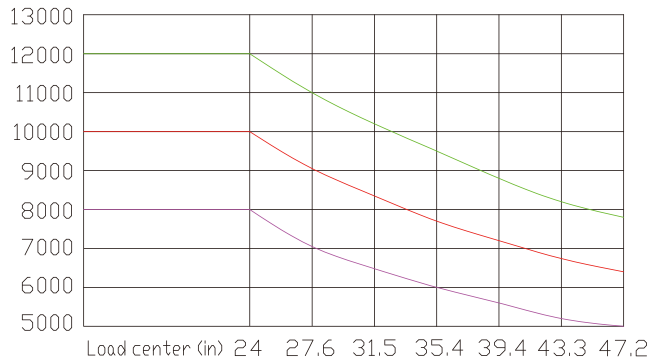
XF Series Box Car Special Forklift Specification

| | | | | HANGCHA GROUP CO.,LTD. | | | |
|---------------------|---------------------------|---|------------|------------------------|------------------------|------------------------|------------------------|
| Distinguishing mark | 1.1 | Manufacturer | | | | | |
| | | HCFA Model | | FP35CB | FP45CB | FP55CB | |
| | 1.2 | Manufacturer's type designation | | CPYD35-XW24B-CB | CPYD45-XW24B-CB | CPYD55-XW24B-CB | |
| | 1.3 | Drive: electric (battery or mains), diesel, petrol, fuel gas | | LPG | LPG | LPG | |
| | 1.4 | Operator type: hand, pedestrian, standing, seated, order-picker | | Seated | Seated | Seated | |
| | 1.5 | Rated capacity/rated load | Q | lb (kg) | 8000(3500) | 10000(4500) | 12000(5500) |
| | 1.6 | Load centre distance | c | in(mm) | 24(600) | 24(600) | 24(600) |
| | 1.7 | Load distance, centre of drive axle to fork | x | in(mm) | 17.7(450) | 18.1(460) | 18.5(470) |
| 1.8 | Wheelbase | y | in (mm) | 61.8(1570) | 61.8(1570) | 70.5(1790) | |
| Weight | 2.1 | Service Weight | | lb(kg) | 13230(6000) | 15080(6840) | 16755(7600) |
| | 2.2 | Axle loading, laden front/rear | | lb(kg) | 18560/2670(8290/1210) | 22060/3020 (9970/1370) | 25625/3130(11680/1420) |
| | 2.3 | Axle loading, unladen front/rear | | lb(kg) | 5405/7825(2450/3550) | 5290/9790 (2400/4440) | 6375/10380(2890/4710) |
| Tyres, chassis | 3.1 | Tyres: solid rubber, superelastic, pneumatic, polyurethane | | | Cushion | Cushion | Cushion |
| | 3.2 | Tyre size, front | | | 22×9-16 | 22×12-16 | 22×12-16 |
| | 3.3 | Tyre size, rear | | | 18×6-12.125 | 18×8-12.125 | 18×8-12.125 |
| | 3.4 | Wheels, number front / rear (x = driven wheels) | | | 2×2 | 2×2 | 2×2 |
| | 3.5 | Tread, front | b10 | in (mm) | 41(1041) | 43.9(1115.2) | 43.9(1115.2) |
| | 3.6 | Tread, rear | b11 | in(mm) | 42.3(1074) | 44.3(1125) | 44.3(1125) |
| Dimensions | 4.1 | Tilt of mast/fork carriage forward/backward | | α/β (°) | 5/6 | 5/6 | 5/6 |
| | 4.2 | Height, mast lowered | | h1 in (mm) | 86.2(2190) | 86.2(2190) | 86.2(2190) |
| | 4.3 | Free lift | | h2 in(mm) | 4.3(110) | 4.3(110) | 4.7(120) |
| | 4.4 | Lift | | h3 in (mm) | 118.1(3000) | 118.1(3000) | 118.1(3000) |
| | 4.5 | Height, mast extended | | h4 in (mm) | 166.3(4225) | 166.3(4225) | 166.3(4225) |
| | 4.6 | Height of overhead guard | | h5 in (mm) | 86.5 (2198) | 86.5 (2198) | 86.5 (2198) |
| | 4.7 | Seat height relating to SIP | | h7 in (mm) | 51.1(1299) | 51.1(1299) | 51.1(1299) |
| | 4.8 | Coupling height | | h10 in (mm) | 14.6(370) | 14.6(370) | 14.6(370) |
| | 4.9 | Overall length | | l1 in (mm) | 138.6(3520) | 142.3(3615) | 154.3(3920) |
| | 4.10 | Length to face of forks | | l2 in (mm) | 96.5(2450) | 100.2(2545) | 106.3(2700) |
| | 4.11 | Overall width(without backrest) | | b1 in(mm) | 50(1270) | 55.9(1420) | 55.9(1420) |
| | 4.12 | Fork dimensions | | s/e/l in (mm) | 2×4.8×42(50×122×1070) | 2×6×42(50×150×1070) | 2.4×6×48(60×150×1220) |
| | 4.13 | Fork carriage DIN 15 173 --- ISO 2328, class/type A,B | | | Class 3A | Class 3A | Class 4A |
| | 4.14 | Backrest width | | b2 in (mm) | 45.8(1164) | 51.7(1314) | 51.7(1314) |
| | 4.15 | Fork-carriage width | | b3 in(mm) | 43.3(1100) | 49.2(1250) | 49.2(1250) |
| | 4.16 | Distance between fork-arms | | b5 in (mm) | 10-41.3(255-1050) | 12.2-47.2(310-1200) | 12.2-46.9(310-1190) |
| | 4.17 | Ground clearance, laden, below mast | | m1 in (mm) | 3.1(80) | 3.1(80) | 3.1(80) |
| | 4.18 | Ground clearance, centre of wheelbase | | m2 in (mm) | 5.9(149) | 5.9(149) | 5.9(149) |
| | 4.19.1 | Aisle width for pallets 1000 x 1200 crossways | | Ast in (mm) | 141.3(3590) | 145.3(3690) | 151.6(3850) |
| | 4.19.2 | Aisle width for pallets 800 x 1200 lengthways | | Ast in (mm) | 149.2(3790) | 153.1(3890) | 159.4(4050) |
| | 4.20 | Turning radius | | Wa in(mm) | 84.3(2140) | 87.8(2230) | 93.5(2380) |
| 4.21 | Minimum pivoting distance | | b13 in(mm) | 24.3(617) | 24.3(617) | 25.3(642) | |
| Performance Data | 5.1 | Travel speed, laden/unladen | | mph(km/h) | 12.2/12.9(19.7/20.8) | 12.1/12.8(19.5/20.6) | 11.4/12.1(18.3/19.4) |
| | 5.2 | Lift speed, laden/unladen | | ft/min(m/s) | 104.3/114.2(0.53/0.58) | 92.5/102.4(0.47/0.52) | 78.7/88.6(0.40/0.45) |
| | 5.3 | Lowering speed, laden/unladen | | ft/min(m/s) | 98.4/88.6(0.50/0.45) | 98.4/88.6(0.50/0.45) | 98.4/88.6(0.50/0.45) |
| | 5.4 | Drawbar pull, laden/unladen | | N | 42000/16500 | 44000/16500 | 48000/18400 |
| | 5.5 | Gradeability, laden/unladen | | % | 39/16 | 36/16 | 34/16 |
| | 5.6 | Service brake | | | Hydraulic | Hydraulic | Hydraulic |
| | 5.7 | Parking brake | | | Mechanical | Mechanical | Mechanical |
| Combustion-engine | 6.1 | Engine manufacturer/type | | | PSI 4.3L LPG CERT | PSI 4.3L LPG CERT | PSI 4.3L LPG CERT |
| | 6.2 | Engine power | | hp (kW) | 105(77) | 105(77) | 105(77) |
| | 6.3 | Rated speed | | r/min | 2300 | 2300 | 2300 |
| | 6.4 | Number of cylinders/displacement | | (-)/(cm ³) | 6/4294 | 6/4294 | 6/4294 |
| | 6.5 | Generator | | A | 70 | 70 | 70 |
| | 6.6 | Vehicle electrical system voltage | | V | 12 | 12 | 12 |
| | 6.7 | Battery voltage/nominal capacity | | V/Ah | 12/60 | 12/60 | 12/60 |
| | 6.8 | Rated torque | | N·m/r/min | 332.85/1400 | 332.85/1400 | 332.85/1400 |
| | 6.9 | Transmissions Manufacturer | | | OKAMURA | OKAMURA | OKAMURA |
| | 6.10 | Transmissions Type | | | Powershift | Powershift | Powershift |
| | 6.11 | Stage FWD/RVS | | | 1/1 | 1/1 | 1/1 |
| Addition data | 7.1 | Operating pressure for attachments | | psi(MPa) | 2683(18.5) | 2683(18.5) | 2683(18.5) |
| | 7.2 | Hydraulic Tank - capacity (drain & refill) | | gal(liter) | 18.5(70) | 21.1(80) | 26.4(100) |
| | 7.3 | Fuel tank capacity | | gal(liter) | NA | NA | NA |



$$Ast = L6 + X + Wa + a \quad a = 200$$

Lifting height ~ 118.1 in (lb)





HC FORKLIFT AMERICA CORPORATION

Company address:
10405-A Granite Street Charlotte,
NC 28273

Toll Free: 888-652-8395
Phone: 980-888-8335
Fax: 980-888-8336

america@hcforklift.com
www.hcforkliftamerica.com



Follow us on
Facebook



Follow us on
YouTube



Follow us on
WeChat

HANGCHA GROUP CO., LTD. reserves the right to make any changes without notice concerning colors, equipment, or specifications detailed in this brochure, or to discontinue individual models. The colors of trucks, delivered may differ slightly from those in brochures.