



## **XF Series Diesel / LPG Pneumatic Tire Trucks**

with capacities of 8,000 to 11,000lbs

*The World of Hangcha*



# Simple/ Solid/ Smart

In the XF Series, Hangcha brought together the experience of more than 30 years building forklifts and the latest forklift technologies, the result is superior in efficiency, environmental friendliness, comfortable operation, reliability, safety. The XF Series, produced from careful research and development, represent a true solution to needs from environment, operator and owner.





45

SAC

# Comfortable Operation

Optimal visibility in all directions create the best conditions for high productivity through relaxed and safe working.



*In developing the XF Series, comfort and ease of operation is carefully considered, for example, to improve vibration levels, compound engine damper and full floating power train are adopted.*

*Comfortable operating environments for operator also contribute to increased productivity.*



In addition to rubber damper between frames and steering axle, compound engine damper and full floating power train achieve flexible connection between frames and driving system, as a result, traveling vibrations and vibrations from the driving system are significantly reduced.



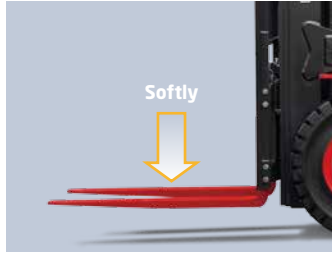
The enlarged capacity of optimized exhaust muffler, the intake muffler and the noise shield technologies provide significantly lower noise levels.

- 1.** The new, relocated easy-to-see LCD meter lets the operator check on all aspects of operational status at a glance.
- 2.** The new automobile-style light/turn-signal lever and forward-reverse lever are ergonomically designed and arranged to improve comfort and productivity.
- 3.** The small diameter steering wheel with tilt adjustment provides the ideal operating position. The superior responsiveness of the steering wheel optimizes maneuverability even in narrow spaces.
- 4.** The parking brake is specially developed. The operational force is reduced by 30%.
- 5.** The automobile-style suspended pedals provide more ergonomic operation.

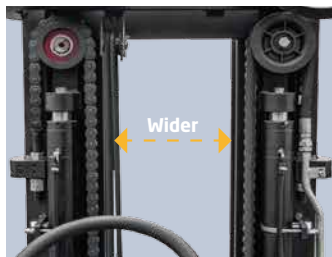


The extra foot space is provided to reduce operator fatigue significantly. The new wide-open, non-slip step makes getting in and out easy and safe.

The optional Electro-hydraulic proportional control system contributes more sensitive and precise load handling. The easy-to-operate levers provide total load handling operation. An armrest is provided to reduce fatigue.



In addition to the soft landing system, the soft lifting system is adopted (front lifting cylinders of triplex mast and full free duplex mast), as a result, the noise and shock of the mast significantly decreases.



The developed front lifting cylinders with smaller outer diameter give the operator superior forward visibility.

The double front lifting cylinders provide better forward visibility.





## Productivity

Dynamic load sensing hydraulic steering system, Efficiency lighting system, lower fuel consumption, combine to provide increased productivity and reduced operating costs.



The new Dynamic load sensing hydraulic steering system contributes to reduce loss of hydraulic and improve energy efficiency.



The new efficiency lighting system employs LED illuminant and new type reflector to reduce energy consumption, improve significantly illumination performance and prolong work time.

# Reliability

By focusing on enhancing reliability, reducing downtime, the XF series is able to make the greater productivity for customer.

XF series truck just equip with Okamura transmission. Brake drum and hub adopt monolithic construction.



XF series features rugged design, stamped frame and engine hood, stamped instrument panel and head guard, heavy profile rail mast combine to provide excellent rigidity, which ensures outstanding reliability even in heavy-duty work.

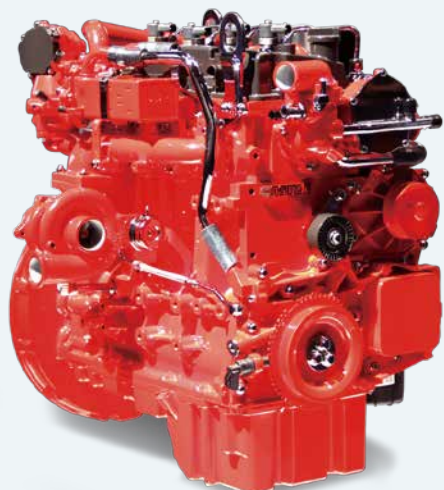
Extra capacity combined radiator with serpentine wave and optimized heat dissipation channel enhance the heat dissipation capability to keep engine reliability even in heavy-duty applications.



Bigger diameter of steering cylinder.

# Environmental Friendliness

*A lineup of powerful and clean engines and environment friendly materials help to reduce the output of undesirable substances over the lifetime of the truck, while creating a cleaner work environment.*



Each model employs a specially developed engine for the optimum balance of power and superior environmental performance. CUMMINS engine QSF2.8T4F is in compliance with Tier 4 Final control regulation.



The exhaust treatment DOC ensure the exhaust satisfy with USA T4F , it also with good noise reduction , maintenance is minimal.

# Safety

A wide range of technologies are applied to ensure absolute safety for both the operator and those in the surrounding.

*An optional rear-pillar assist grip with a horn button enhances safety of operator while traveling in reverse.*

*The locking device of the engine hood damper and parking brake help add to safety.*



- 1.** The operator presence sensing system incorporates lifting / tilting and traveling locking function, When the operator leaves the seat, the system automatically locks lifting / tilting and disables traveling to ensure safety.
- 2.** A throttling device is adopted to avoid the mast being out of control even some pipes are broken.

# Easy Maintenance

*Careful design facilitates inspection and servicing. Easy maintenance reduces the amount of downtime and helps to reduce cost also.*



The new controller integrates all electrical components, features excellent durability for temperature, water and vibration for most demanding operation.



CUMMINS engine use the special air filter, it can reduce air intake resistance dramatically, equipped with pressure alarm to master the maintaining time.



The cover on the Panel can be lifted up simply to check the brake fluid.

The easy-to-operate latch provides quick access to the engine compartment.

The two-piece design makes the floorboard easy to lift and remove for access to the power train.

The fasteners of the radiator cover can be turned easily by hand to enable quick inspections or servicing.



# Standards

Transmission	Steering	Chassiss	Control	Hydraulic
<ul style="list-style-type: none"> <li>/ Suspension transmission</li> <li>/ Oil filter</li> <li>/ Dipstick</li> <li>/ Oil cooler</li> <li>/ Non-asbestos brake</li> <li>/ Okamura</li> </ul>	<ul style="list-style-type: none"> <li>/ Full hydraulic power steering</li> <li>/ Smaller diameter steering wheel</li> <li>/ Adjuster of steering wheel</li> </ul>	<ul style="list-style-type: none"> <li>/ Anti-slip pedal</li> <li>/ Rubber pedal</li> <li>/ Engine hood spring</li> </ul>	<ul style="list-style-type: none"> <li>/ Power steering</li> <li>/ Suspension pedal</li> <li>/ Integrated combination switch</li> <li>/ Cable parking brake</li> </ul>	<ul style="list-style-type: none"> <li>/ Dynamic load sending control valve</li> <li>/ Hydraulic oil filter</li> <li>/ Tilt cylinder self-lock valve</li> <li>/ Hydraulic oil dipstick</li> <li>/ Dual pump</li> </ul>

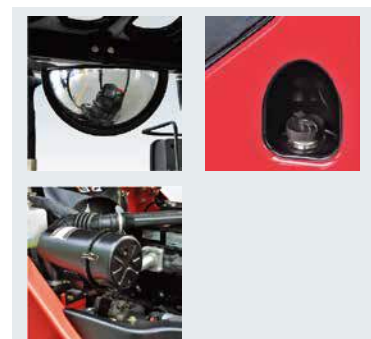
Truck	Electronics	Mast
<ul style="list-style-type: none"> <li>/ Traction device</li> <li>/ Hand grip</li> <li>/ Standard seat</li> <li>/ Standard overhead guard</li> <li>/ Waterproof cover on the guard</li> <li>/ Back view mirror</li> <li>/ Pneumatic tyres</li> </ul>	<ul style="list-style-type: none"> <li>/ Counterweight net</li> <li>/ Fan protector</li> <li>/ Big capacity aluminum radiator</li> <li>/ Safety filter</li> <li>/ High-efficient intake muffler</li> <li>/ High-efficient exhaust muffler</li> <li>/ Upright exhaust pipe</li> <li>/ High-positioned exhaust system</li> </ul>	<ul style="list-style-type: none"> <li>/ LED headlamp</li> <li>/ High-efficient LED rear lights</li> <li>/ Maintenance-free battery</li> <li>/ Combination controller</li> <li>/ LCD display</li> <li>/ Neutral switch</li> <li>/ Hour meter</li> <li>/ Fuel gauge</li> </ul>

# Options

Truck	Transmission	Power	Hydraulic	Electronics	Mast
<ul style="list-style-type: none"> <li>/ Full cabin</li> <li>/ Cabin heater</li> <li>/ Front window</li> <li>/ Solid pneumatic tires</li> <li>/ Non-mark tyre(white)</li> <li>/ Suspension seat</li> <li>/ Fire extinguisher</li> <li>/ Cover of tilt cylinder</li> <li>/ Heightening overhead guard</li> <li>/ Rear handle with horn</li> <li>/ Customer painting</li> <li>/ OPS(Operator Presence Sensing system)</li> <li>/ Boot for tilt cylinder</li> </ul>	<ul style="list-style-type: none"> <li>/ Dual driving tyre</li> </ul>	<ul style="list-style-type: none"> <li>/ Big capacity copper radiator</li> <li>/ Radiator screen</li> </ul>	<ul style="list-style-type: none"> <li>/ Auxiliary hydraulic valve</li> <li>/ Electro-hydraulic proportional control system</li> <li>/ Return oil filter</li> </ul>	<ul style="list-style-type: none"> <li>/ Front working light</li> <li>/ Rear working light</li> <li>/ Warning lamp</li> <li>/ Over-speed alarm</li> </ul>	<ul style="list-style-type: none"> <li>/ Duplex wide view free-lift mast</li> <li>/ Triplex wide view free-lift mast</li> <li>/ Triplex wide view Special forks</li> <li>/ Wider fork carriage</li> <li>/ Widerload back rest</li> </ul>

# Optional Attachments

- / Paper roll clamp
- / Rotating bale clamp
- / Load stabilizer
- / Multi-drum clamp
- / Bale clamp
- / Drum clamp
- / Dumping clamp
- / Crane arm
- / String Pole
- / Sideshifter
- / Rotating forks
- / Fork extensioner
- / Load release device
- / Carton clamp
- / Push-pull device
- / Bucket
- / Hook
- / Lengthened fork

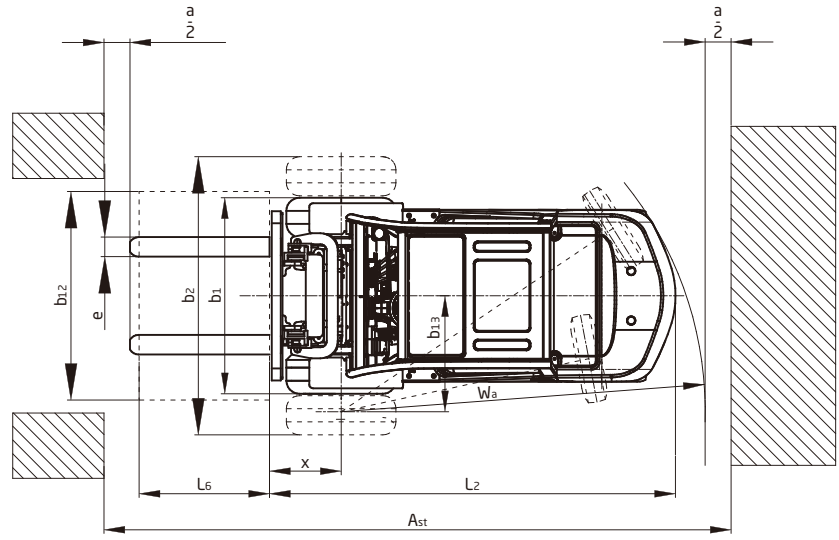
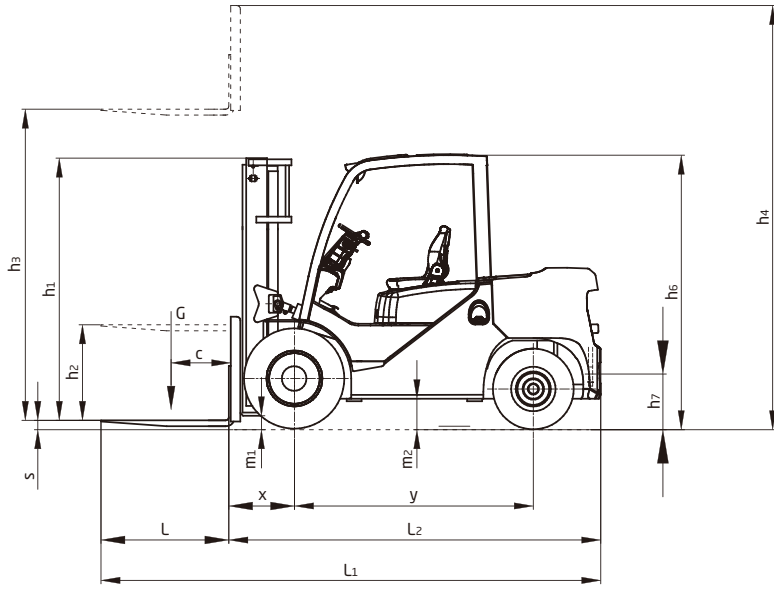


# XF series 8,000~11,000lbs Pneumatic Tire Forklift Specification

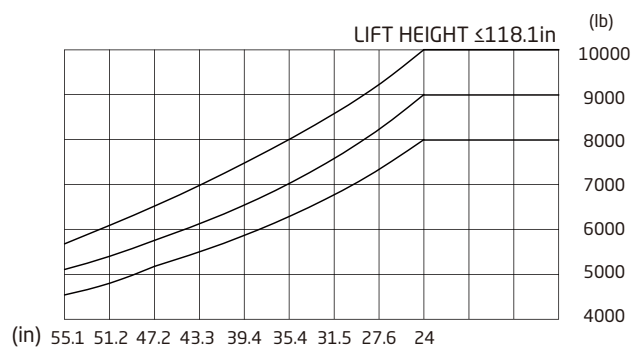
Distinguishing mark	1.1	Manufacturer		FD40B	FD45B	FD50BS	
		HCFA Model		CPCD40-XW58B	CPCD45-XW58B	CPCD50-XXW58B	
	1.2	Manufacturer's type designation		Diesel	Diesel	Diesel	
	1.3	Drive: electric (battery or mains), diesel, petrol, fuel gas		Seated	Seated	Seated	
	1.4	Operator type: hand, pedestrian, stand-up, sit-down, order-picker		Q (lb)	8000	9000	10000
	1.5	Rated capacity/rated load		c (in)	24	24	24
	1.6	Load centre distance		x (in)	21.7	21.7	21.9
	1.8	Load distance, centre of drive axle to fork		in	21	22.2	22
	1.9	Rear overhang		y (in)	79	79	85
Weight	2.1	Service Weight	lb	14300	14800	15100	
	2.2	Axle loading, laden front/rear	lb	19260/3040	20740/3060	22000/3100	
		Conterweight	lb	4690	5100	5400	
Tyres, chassis	2.3	Axle loading, unladen front/rear	lb	6640/7660	6640/8160	6640/8460	
	3.1	Tyres: solid rubber, superelastic, pneumatic, polyurethane		Pneumatic	Pneumatic	Pneumatic	
	3.2	Tyre size, front		8.25-15-14PR	300-15-18PR	300-15-18PR	
	3.3	Tyre size, rear		7.00-12-12PR	7.00-12-12PR	7.00-12-12PR	
	3.5	Wheels, number front / rear (x = driven wheels)		2	2	2	
	3.6	Tread, front	b <sub>10</sub> (in)	46.2	47.4	47.4	
	3.7	Tread, rear	b <sub>11</sub> (in)	44.5	44.5	44.5	
Dimensions	4.1	Tilt of mast/fork carriage forward/backward	α/β(°)	6/12	6/12	6/12	
	4.2	Height, mast lowered	h <sub>1</sub> (in)	88.4	88.4	88.4	
	4.3	Free lift	h <sub>2</sub> (in)	6.3	6.3	6.3	
	4.4	Lift	h <sub>3</sub> (in)	118	118	118	
	4.5	Height, mast extended	h <sub>4</sub> (in)	164.2	164.2	172	
	4.7	Height of overhead guard (cabin)	h <sub>6</sub> (in)	89.4	89.4	89.4	
	4.8	Seat height relating to SIP	h <sub>7</sub> (in)	51.4	51.4	51.4	
	4.12	Coupling height	h <sub>10</sub> (in)	17.7	17.7	17.7	
	4.19	Overall length	l <sub>1</sub> (in)	163.6	164.8	170.7	
	4.20	Length to face of forks	l <sub>2</sub> (in)	121.5	122.6	128.5	
	4.21	Overall width	b <sub>1</sub> (in)	55.9	59.2	59.2	
	4.22	Fork dimensions	s/e/l (in)	2/4.8/42.1	2/5.9/42.1	2/5.9/42.1	
	4.24	Fork-carriage width	b <sub>3</sub> (in)	49.2	49.2	49.2	
	4.25	Distance between fork-arms	b <sub>5</sub> (in)	12.2~47.2	12.2~47.2	12.2~47.2	
	4.31	Ground clearance, laden, below mast	m <sub>1</sub> (in)	6.7	6.7	6.7	
	4.32	Ground clearance, centre of wheelbase	m <sub>2</sub> (in)	9	9	9	
	4.34.1	Aisle width for pallets 1000 x 1200 crossways	A <sub>st</sub> (in)	174.8	176	182.3	
	4.34.2	Aisle width for pallets 800 x 1200 lengthways	A <sub>st</sub> (in)	182.7	183.9	190.2	
	4.35	Turning radius	W <sub>a</sub> (in)	105.9	107.1	113.2	
	4.36	Internal turning radius	b <sub>13</sub> (in)	33.3	33.3	34.4	
	Min. right angle stacking aisle width(Ast)	in	127.6	128.7	135		
Performance data	5.1	Travel speed, laden/unladen	mph	(-/14.9)	(-/14.9)	(-/14.9)	
	5.2	Lift speed, laden/unladen	ft/min	90.6/-	90.6/-	78.6/-	
	5.3	Lowering speed, laden/unladen	ft/min	98.4/-	98.4/-	98.4/-	
	5.5	Drawbar pull, laden/unladen	lbf	9000/-	9000/-	9000/-	
	5.7	Gradeability, laden/unladen	%	35/-	33/-	31/-	
	5.10	Service brake		Hydraulic	Hydraulic	Hydraulic	
	Parking brake		Mechanical	Mechanical	Mechanical		
Combustion-engine	7.1	Engine manufacturer/type		QSF2.8T4F	QSF2.8T4F	QSF2.8T4F	
		Emission STD		Tier4 F	Tier4 F	Tier4 F	
	7.2	Engine power according to DIN ISO 1585	HP	73.8	73.8	73.8	
	7.3	Rated speed	r/min	2200	2200	2200	
	7.4	Number of cylinders/displacement	(-)/(in <sup>3</sup> )	4/170.9	4/170.9	4/170.9	
	7.8	Generator	A	60	60	60	
	7.9	Vehicle electrical system voltage	V	12	12	12	
	7.10	Battery voltage/nominal capacity	V/Ah	12/105	12/105	12/105	
		Rated torque	N·m/r/min	298/1600	298/1600	298/1600	
		Transmissions Manufacturer		OKAMURA	OKAMURA	OKAMURA	
		Stage FWD/RVS		2/1	2/1	2/1	
		Bore × stroke	in	3.7×3.9	3.7×3.9	3.7×3.9	
		Transmissions Type		Powershift	Powershift	Powershift	
Addition data	10.1	Operating pressure for attachments	bar	190	190	190	
	10.3	Hydraulic Tank - capacity (drain & refill)	gal	17.6	17.6	19.8	
	10.4	Fuel tank capacity	gal	17.6	17.6	19.8	
	10.7	Sound pressure level at the driver's seat	dB (A)	85	85	85	

HANGCHA GROUP CO.,LTD.

	FD55BS	FP40B	FP45B	FP50BS	FP55B
	CPCD55-XXW58B	CPYD40-XW24B	CPYD45-XW24B	CPYD50-XXW24B	CPYD55-XXW24B
	Diesel	LPG	LPG	LPG	LPG
	Seated	Seated	Seated	Seated	Seated
	11000	8000	9000	10000	11000
	24	24	24	24	24
	23	21.7	21.7	21.9	23
	23.4	21	22.2	22	23.4
	85	79	79	85	85
	16000	14300	14800	15100	16000
	24200/2800	19260/3040	20740/3060	22000/3100	24200/2800
	6130	4690	5100	5400	6130
	7250/8750	6640/7660	6640/8160	6640/8460	7250/8750
	Pneumatic	Pneumatic	Pneumatic	Pneumatic	Pneumatic
	300-15-18PR	8.25-15-14PR	300-15-18PR	300-15-18PR	300-15-18PR
	7.00-12-12PR	7.00-12-12PR	7.00-12-12PR	7.00-12-12PR	7.00-12-12PR
	2	2	2	2	2
	47.4	46.2	47.4	47.4	47.4
	44.5	44.5	44.5	44.5	44.5
	6/12	6/12	6/12	6/12	6/12
	94.3	88.4	88.4	88.4	94.3
	6.7	6.3	6.3	6.3	6.7
	118	118	118	118	118
	173.2	164.2	164.2	172	173.2
	89.4	89.4	89.4	89.4	89.4
	51.4	51.4	51.4	51.4	51.4
	17.7	17.7	17.7	17.7	17.7
	177.2	163.6	164.8	170.7	177.2
	131.1	121.5	122.6	128.5	131.1
	59.2	55.9	59.2	59.2	59.2
	2.4/5.9/47.2	2/4.8/42.1	2/5.9/42.1	2/5.9/42.1	2.4/5.9/47.2
	49.2	49.2	49.2	49.2	49.2
	12.2~47.2	12.2~47.2	12.2~47.2	12.2~47.2	12.2~47.2
	6.7	6.7	6.7	6.7	6.7
	9	9	9	9	9
	184.6	174.8	176	182.3	184.6
	192.6	182.7	183.9	190.2	192.6
	114.4	105.9	107.1	113.2	114.4
	34.4	33.3	33.3	34.4	34.4
	137.4	127.6	128.7	135	137.4
	(-/14.9)	(-/14.9)	(-/14.9)	(-/14.9)	(-/14.9)
	78.6/-	90.6/-	90.6/-	78.6/-	78.6/-
	98.4/-	98.4/-	98.4/-	98.4/-	98.4/-
	9000/-	8550/-	8550/-	8550/-	8550/-
	28/-	33/-	31/-	29/-	27/-
	Hydraulic	Hydraulic	Hydraulic	Hydraulic	Hydraulic
	Mechanical	Mechanical	Mechanical	Mechanical	Mechanical
	QSF2.8T4F	PSI4.3L	PSI4.3L	PSI4.3L	PSI4.3L
	Tier4 F	EPA Tier2	EPA Tier2	EPA Tier2	EPA Tier2
	73.8	103	103	103	103
	2200	2300	2300	2300	2300
	4/170.9	6/262	6/262	6/262	6/262
	60	100	100	100	100
	12	12	12	12	12
	12/105	12/60	12/60	12/60	12/60
	298/1600	332.85/1400	332.85/1400	332.85/1400	332.85/1400
	OKAMURA	OKAMURA	OKAMURA	OKAMURA	OKAMURA
	2/1	2/1	2/1	2/1	2/1
	3.7×3.9	4×3.5	4×3.5	4×3.5	4×3.5
	Powershift	Powershift	Powershift	Powershift	Powershift
	190	190	190	190	190
	19.8	17.6	17.6	19.8	19.8
	19.8	17.6	17.6	19.8	19.8
	85	85	85	85	85



$A_{st} = W_a + x + L_6 + a;$   
 applies only if  $\frac{b_{12}}{2} \leq b_{13}$



## 8,000~9,000lbs XF series mast: (pneumatic)

Type	Model	Max. fork height	Overall height				Free lift		Front Overhang	Tilt range		Capacity			
			Lowered	Extended		Without backrest	With backrest	FWD		BWD	Load capacity at 24in				
				Without backrest	With backrest						Single tire		Dual tire		
											8000lb	9000lb	8000lb	9000lb	
		in	in	in	in	in	in	(°)	(°)	lb	lb	lb	lb		
Wide view mast	X45M250	98.4	78.5	131.1	144.5	6.3	6.3	21.7	6	12	8000	9000	8000	9000	
	X45M270	106.3	82.5	139.0	152.4	6.3	6.3	21.7	6	12	8000	9000	8000	9000	
	X45M300	118.1	88.4	150.8	164.2	6.3	6.3	21.7	6	12	8000	9000	8000	9000	
	X45M330	129.9	94.3	162.6	176.0	6.3	6.3	21.7	6	12	8000	9000	8000	9000	
	X45M350	137.8	98.2	170.5	183.9	6.3	6.3	21.7	6	12	8000	9000	8000	9000	
	X45M360	141.7	100.2	174.4	187.8	6.3	6.3	21.7	6	12	8000	9000	8000	9000	
	X45M370	145.7	102.2	178.3	191.7	6.3	6.3	21.7	6	12	8000	9000	8000	9000	
	X45M380	149.6	104.1	182.3	195.7	6.3	6.3	21.7	6	12	8000	9000	8000	9000	
	X45M400	157.5	110.0	190.2	203.5	6.3	6.3	21.7	6	12	8000	9000	8000	9000	
	X45M430	169.3	116.5	202.0	215.4	6.3	6.3	21.7	6	6	8000	9000	8000	9000	
	X45M450	177.2	120.9	209.8	223.2	6.3	6.3	21.7	6	6	8000	9000	8000	9000	
	X45M480	189.0	127.4	221.7	235.0	6.3	6.3	21.7	6	6	7700	8600	7800	8800	
	X45M500	196.9	131.7	229.5	242.9	6.3	6.3	21.7	6	6	7600	8000	7700	8400	
	X45M550	216.5	142.5	249.2	262.6	6.3	6.3	21.7	3	6	6000	7000	6400	7600	
X45M600	236.2	153.3	268.9	282.3	6.3	6.3	21.7	3	6	5000	6000	5600	6200		
Wide view full free duplex mast	X45U250	98.4	77.8	132.5	144.5	43.9	31.9	21.9	6	12	8000	9000	8000	9000	
	X45U275	108.3	82.7	142.3	154.3	48.7	36.7	21.9	6	12	8000	9000	8000	9000	
	X45U300	118.1	87.6	152.2	164.2	53.7	41.5	21.9	6	12	8000	9000	8000	9000	
	X45U330	129.9	93.5	164.0	176.0	59.6	47.4	21.9	6	12	8000	9000	8000	9000	
	X45U350	137.8	97.5	171.9	183.9	63.5	51.5	21.9	6	12	8000	9000	8000	9000	
	X45U360	141.7	99.4	175.8	187.8	65.5	53.5	21.9	6	12	8000	9000	8000	9000	
	X45U370	145.7	101.4	179.7	191.7	67.5	55.5	21.9	6	12	8000	9000	8000	9000	
Wide view full free triplex mast	X45N400	157.5	81.9	190.9	203.5	48.4	35.9	23.7	6	6	8000	9000	8000	9000	
	X45N430	169.3	85.8	203.0	215.4	52.3	39.8	23.7	6	6	8000	9000	8000	9000	
	X45N450	177.2	88.5	211.2	223.8	54.9	42.5	23.7	6	6	7600	8800	8000	9000	
	X45N470	185.0	90.9	218.5	231.1	57.4	45.0	23.7	6	6	7400	8600	7600	8800	
	X45N480	189.0	92.1	222.4	235.0	58.6	46.1	23.7	6	6	7400	8400	7600	8600	
	X45N500	196.9	94.9	230.5	242.9	61.4	48.9	23.7	6	6	7200	7600	7400	8400	
	X45N550	216.5	101.4	250.2	262.6	67.9	55.4	23.7	3	6	6000	6800	6400	7600	
	X45N600	236.2	109.8	270.3	282.7	76.3	63.9	23.7	3	6	5000	5600	5600	6200	
	X45N650	255.9	117.3	290.0	302.4	83.8	71.3	23.7	3	6	/	/	4800	5000	
X45N700	275.6	124.2	309.4	321.9	90.7	78.3	23.7	3	6	/	/	4000	4400		

With sideshifter minus 440lb,with integral sideshifter minus 220lb.

## 10,000~11,000lbs XF series mast: (pneumatic)

Type	Model	Max. fork height	Overall height								Free lift				Tilt range		Capacity			
			Lowered (in)	Extended				Without backrest (in)		With backrest (in)		Front Overhang (in)		FWD	BWD	Load capacity at 24in				
				Without backrest	With backrest	Without backrest	With backrest	10000lb	11000lb	10000lb	11000lb	Single tire				Dual tire				
												10000lb	11000lb			10000lb	11000lb			
		in	10000lb	11000lb	10000lb	11000lb	10000lb	11000lb	10000lb	11000lb	10000lb	11000lb	(°)	(°)	10000lb	11000lb	10000lb	11000lb		
Wide view mast	XX50/XX55M250	98.4	78.5	88.4	131.1	140.9	152.4	153.5	6.3	6.7	6.3	6.7	21.9	23.0	6	12	10000	11000	10000	11000
	XX50/XX55M270	106.3	82.5	92.3	139.0	148.8	160.2	161.4	6.3	6.7	6.3	6.7	21.9	23.0	6	12	10000	11000	10000	11000
	XX50/XX55M300	118.1	88.4	98.2	150.8	160.6	172.0	173.2	6.3	6.7	6.3	6.7	21.9	23.0	6	12	10000	11000	10000	11000
	XX50/XX55M330	129.9	94.3	104.1	162.6	172.4	183.9	185.0	6.3	6.7	6.3	6.7	21.9	23.0	6	12	10000	11000	10000	11000
	XX50/XX55M350	137.8	98.2	108.1	170.5	180.3	191.7	192.9	6.3	6.7	6.3	6.7	21.9	23.0	6	12	10000	11000	10000	11000
	XX50/XX55M360	141.7	100.2	110.0	174.4	184.3	195.7	196.9	6.3	6.7	6.3	6.7	21.9	23.0	6	12	10000	11000	10000	11000
	XX50/XX55M370	145.7	102.2	112.0	178.3	188.2	199.6	200.8	6.3	6.7	6.3	6.7	21.9	23.0	6	12	10000	11000	10000	11000
	XX50/XX55M380	149.6	104.1	114.0	182.3	192.1	203.5	204.7	6.3	6.7	6.3	6.7	21.9	23.0	6	12	10000	11000	10000	11000
	XX50/XX55M400	157.5	110.0	117.9	190.2	200.0	211.4	212.6	6.3	6.7	6.3	6.7	21.9	23.0	6	12	10000	11000	10000	11000
	XX50/XX55M430	169.3	116.5	123.8	202.0	211.8	223.2	224.4	6.3	6.7	6.3	6.7	21.9	23.0	6	6	9500	10350	10000	10850
	XX50/XX55M450	177.2	120.9	127.8	209.8	219.7	231.1	232.3	6.3	6.7	6.3	6.7	21.9	23.0	6	6	9400	10050	9600	10450
	XX50/XX55M480	189.0	127.4	135.6	221.7	231.5	242.9	244.1	6.3	6.7	6.3	6.7	21.9	23.0	6	6	8800	9350	9200	9550
	XX50/XX55M500	196.9	131.7	140.2	229.5	239.4	250.8	252.0	6.3	6.7	6.3	6.7	21.9	23.0	6	6	8200	8850	8600	9250
	XX50/XX55M550	216.5	142.5	150.4	249.2	259.1	270.5	271.7	6.3	6.7	6.3	6.7	21.9	23.0	3	6	7200	8150	8000	8650
XX50/XX55M600	236.2	153.3	160.8	268.9	278.7	290.2	291.3	6.3	6.7	6.3	6.7	21.9	23.0	3	6	6200	6300	6600	6750	
Wide view full free duplex mast	XX50/XX55U250	98.4	77.8	87.6	132.5	142.3	152.2	153.5	43.9	43.8	24.0	32.6	22.4	24.0	6	12	10000	11000	10000	11000
	XX50/XX55U275	108.3	82.7	92.5	142.3	152.2	162.0	163.4	48.7	48.7	28.9	37.5	22.4	24.0	6	12	10000	11000	10000	11000
	XX50/XX55U300	118.1	87.6	97.5	152.2	162.0	171.9	173.2	53.7	53.6	33.9	42.5	22.4	24.0	6	12	10000	11000	10000	11000
	XX50/XX55U330	129.9	93.5	103.4	164.0	173.8	183.7	185.0	59.6	59.5	39.8	48.4	22.4	24.0	6	12	10000	11000	10000	11000
	XX50/XX55U350	137.8	97.5	107.3	171.9	181.7	191.5	192.9	63.5	63.5	43.7	52.3	22.4	24.0	6	12	10000	11000	10000	11000
	XX50/XX55U360	141.7	99.4	109.3	175.8	185.6	195.5	196.9	65.5	65.4	45.7	54.3	22.4	24.0	6	12	10000	11000	10000	11000
	XX50/XX55U370	145.7	101.4	111.3	179.7	189.6	199.4	200.8	67.5	67.4	47.6	56.3	22.4	24.0	6	12	10000	11000	10000	11000
Wide view full free triplex mast	XX50/XX55N400	157.5	81.9	90.7	191.3	201.2	211.2	212.6	48.1	47.0	28.1	35.8	24.2	25.4	6	6	10000	11000	10000	11000
	XX50/XX55N430	169.3	85.8	94.7	203.1	213.0	223.0	224.4	52.0	51.0	32.1	39.8	24.2	25.4	6	6	9450	10100	9650	10500
	XX50/XX55N450	177.2	88.5	97.2	211.4	220.9	231.5	232.3	54.7	53.5	34.8	42.3	24.2	25.4	6	6	9250	9600	9450	9900
	XX50/XX55N470	185.0	90.9	99.8	218.9	228.7	239.0	240.2	57.2	56.1	37.2	44.9	24.2	25.4	6	6	9050	9300	9250	9700
	XX50/XX55N480	189.0	92.1	101.2	222.8	232.7	242.9	244.1	58.3	57.5	38.4	46.3	24.2	25.4	6	6	8650	9000	9050	9400
	XX50/XX55N500	196.9	94.9	103.7	230.7	240.6	250.8	252.0	61.1	60.0	41.1	48.8	24.2	25.4	6	6	8050	8500	8550	9100
	XX50/XX55N550	216.5	101.4	110.4	250.4	260.2	270.5	271.7	67.6	66.7	47.6	55.5	24.2	25.4	3	6	7200	7750	8050	8300
	XX50/XX55N600	236.2	109.8	118.9	270.5	279.9	290.6	291.3	76.1	75.2	56.1	64.0	24.2							



**HC FORKLIFT AMERICA CORPORATION**

**Company address:**  
10405-A Granite Street Charlotte,  
NC 28273

Toll Free: 888-652-8395  
Phone: 980-888-8335  
Fax: 980-888-8336

america@hcforklift.com  
www.hcforkliftamerica.com



Follow us on  
Facebook



Follow us on  
YouTube



Follow us on  
WeChat

HANGCHA GROUP CO., LTD. reserves the right to make any changes without notice concerning colors, equipment, or specifications detailed in this brochure, or to discontinue individual models. The colors of trucks, delivered may differ slightly from those in brochures.